

Bushing Data:

Rated Voltage	362	kV
Phase to-earth Voltage	220	kV
Dry Lightning Impulse	1,2/50µs	kV
Wet Switching Impulse	700	kV
Wet Power frequency AC	425	kV
Routine test Imin dry 50Hz	435	kV
Rated Current	2500	A
Creepage Distance	6245	mm
Mass	665	kg

Ordering Data:

BUSHING COLOUR AIR INSULATOR
 LF121062 -C / -AC BROWN / LIGHT GREY

OUTER TERMINAL

LF170 073-A	Al	H2 (mm)	D2 (mm)
LF170 073-B	Cu	125	60
LF170 073-G	Cu/Ag	125	60
OTHER TYPES ON REQUEST			

END-SHIELD

LF170 046-U EPOXY INSULATED
 LF170 046-UP INSULATED WITH 3 mm PRESSBOARD

DRAW ROD SYSTEM

LF170 059 LOWER DRAW ROD WITH NI=4 OR NI=6
 LF170 057 UPPER DRAW ROD

INNER TERMINAL

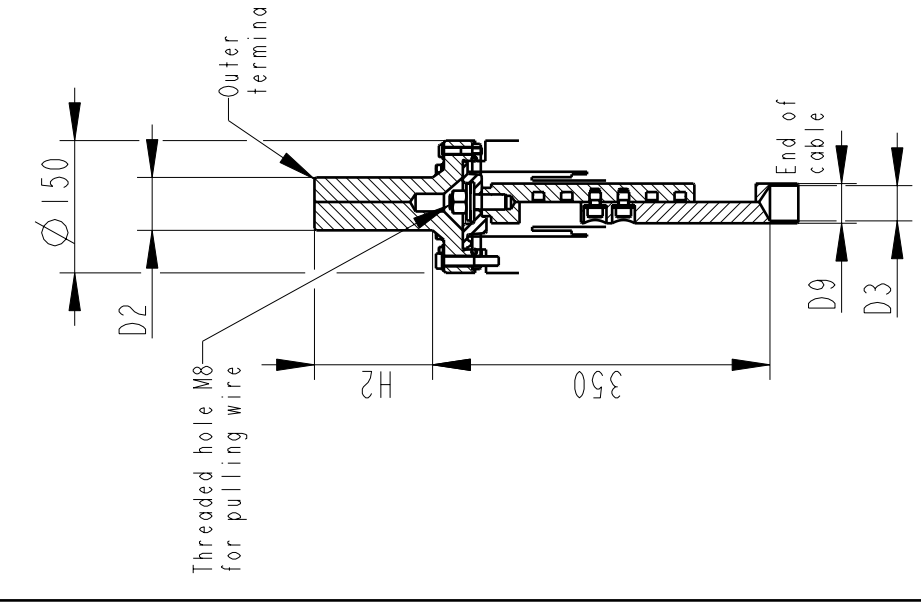
D3 (mm)	D9 (mm)	Cond.area (mm ²)	Current (A)	IEEC
LF170 056-E O*)	45	-	-	-
LF170 056-D	40	45	600	1600
LF170 056-D	40	45	600	1360

*) WITH PILOT HOLE D=5

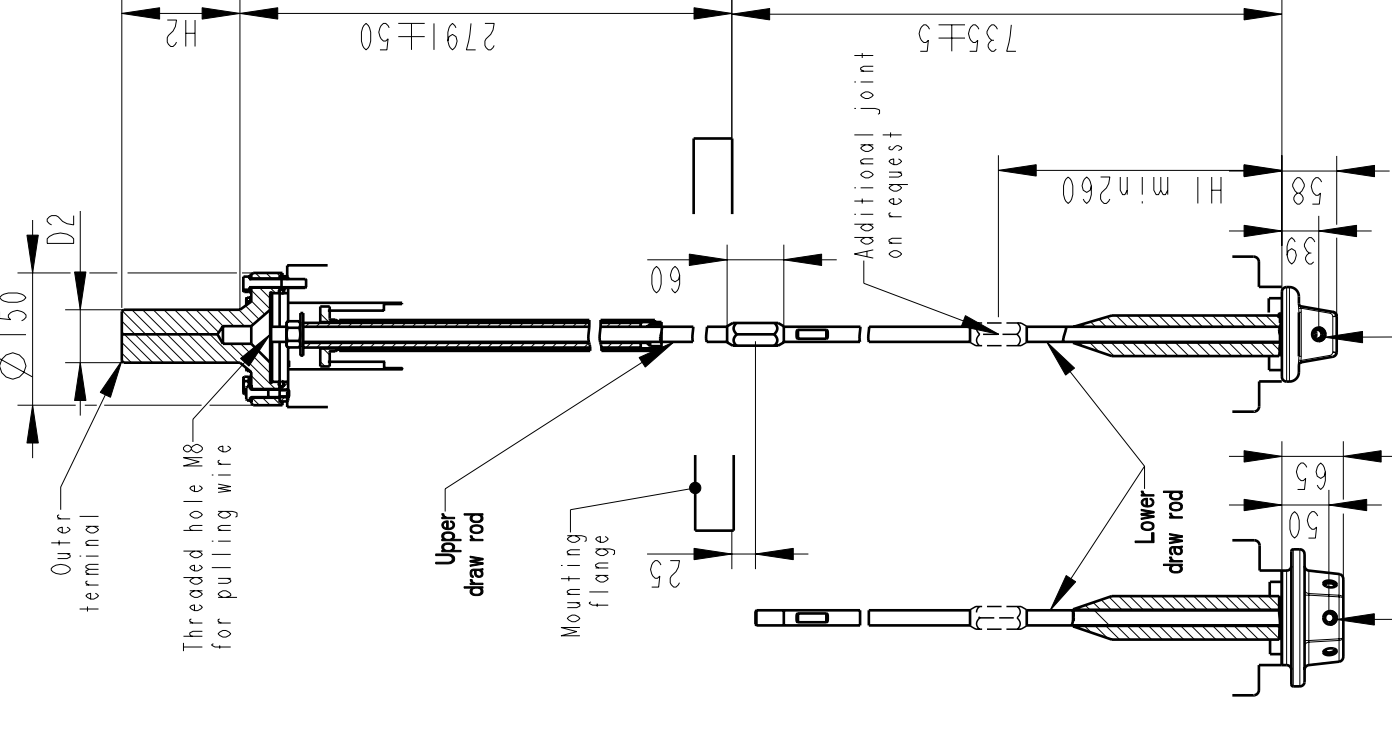
ABB Components Lutha, Sweden

No.	kV	tr	A	50-60	Hz
U	kV	SI	kV	AC	kV
M	kg	L	mm	D	
C1	pF	Tanδ			
C2	pF	Tanδ			

INNER TERMINAL / OUTER TERMINAL

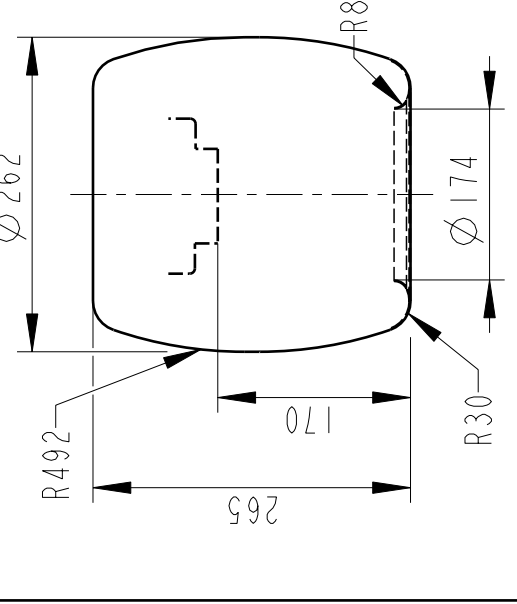


DRAW ROD SYSTEM / OUTER TERMINAL



NI=Number of holes M12, equipped with thread insert with screw lock, depth 20, for cable lugs.

END SHIELD



Based on	Reg. No.	Title
Prepared	Responsible department	GOE-950-700-2500-0
Lövnord	COM/BK 0022	
Approved	Take over department	
Johansson	Database	
Design engineering review		
Gutman		
Document No.		2751369-86